

XLED PRO ONE

without motion detector - anthracite
 EAN 4007841 069513
 Article number 069513



LED	3000 K								
Langlebige LED 50.000 h	3000K warmweiß	IP44	Panel 180° vertikal	Innenleuchte/ Außenleuchte	Vernetzbar via Kabel	Energie sparen	Lichtquelle nicht austauschbar	Betriebsgerät nicht austauschbar	Plastikfreie Verpackung

Function description

Floodlight redefined. The floodlight XLED PRO ONE, which can be swivelled vertically through 180° without a sensor and comes in a stylish aluminium housing, ensures daylight illumination of large areas with warm white 3000 K and 2236 lm at 17,7 W. Suitable for manual switch operation and for cable-based networking in conjunction with a sensor version. With optional surface-mounted adapter. Available in white or anthracite. 5-year guarantee.

Technical specifications

Dimensions (L x W x H)	182 x 229 x 206 mm
With lamp	Yes, STEINEL LED system
With motion detector	No
Manufacturer's Warranty	5 years
Version	without motion detector - anthracite
PU1, EAN	4007841069513
Application, place	Outdoors
Application, room	outdoors, garden, front door, courtyard & driveway, all round the building
Colour	Anthracite
Includes corner wall mount	No
Installation site	ceiling, wall
Installation	Surface wiring, Wall
Impact resistance	IK03
IP-rating	IP44
Protection class	I
Ambient temperature	-20 – 40 °C

Photo-cell controller	No
Cover material	shrouds
Luminous flux total product	2236 lm
Measured luminous flux (360°)	2236 lm
Total product efficiency	126 lm/W
Colour temperature	3000 K
Colour variation LED	SDCM3
Lamp	LED cannot be replaced
Service life LED L70B50 (25°)	> 36000 h
LED cooling system	Passive Thermo Control
Functions	Relay output
Basic light level function	No
Main light adjustable	No
Twilight setting TEACH	No
Interconnection	Yes
Type of interconnection	Master/slave
Interconnection via	Cable

LED floodlight without sensor - Professional Line

XLED PRO ONE

without motion detector - anthracite
EAN 4007841 069513
Article number 069513



Technical specifications

Housing material	Aluminium	Output	17,7 W
Cover material	Glass transparent	Colour Rendering Index CRI	= 80
Mains power supply	220 – 240 V / 50 – 60 Hz		

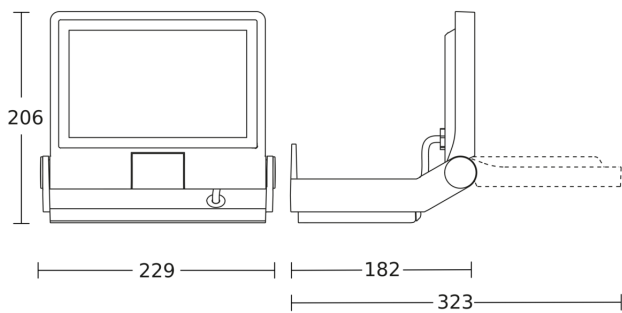
Accessories

EAN 4007841 080990	Surface mount adapter XLED PRO ONE
EAN 4007841 079000	RC 12

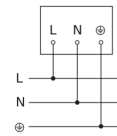
XLED PRO ONE

without motion detector - anthracite
EAN 4007841 069513
Article number 069513

Dimension Drawing



Slave circuit diagram



Master/slave interconnection circuit diagram

